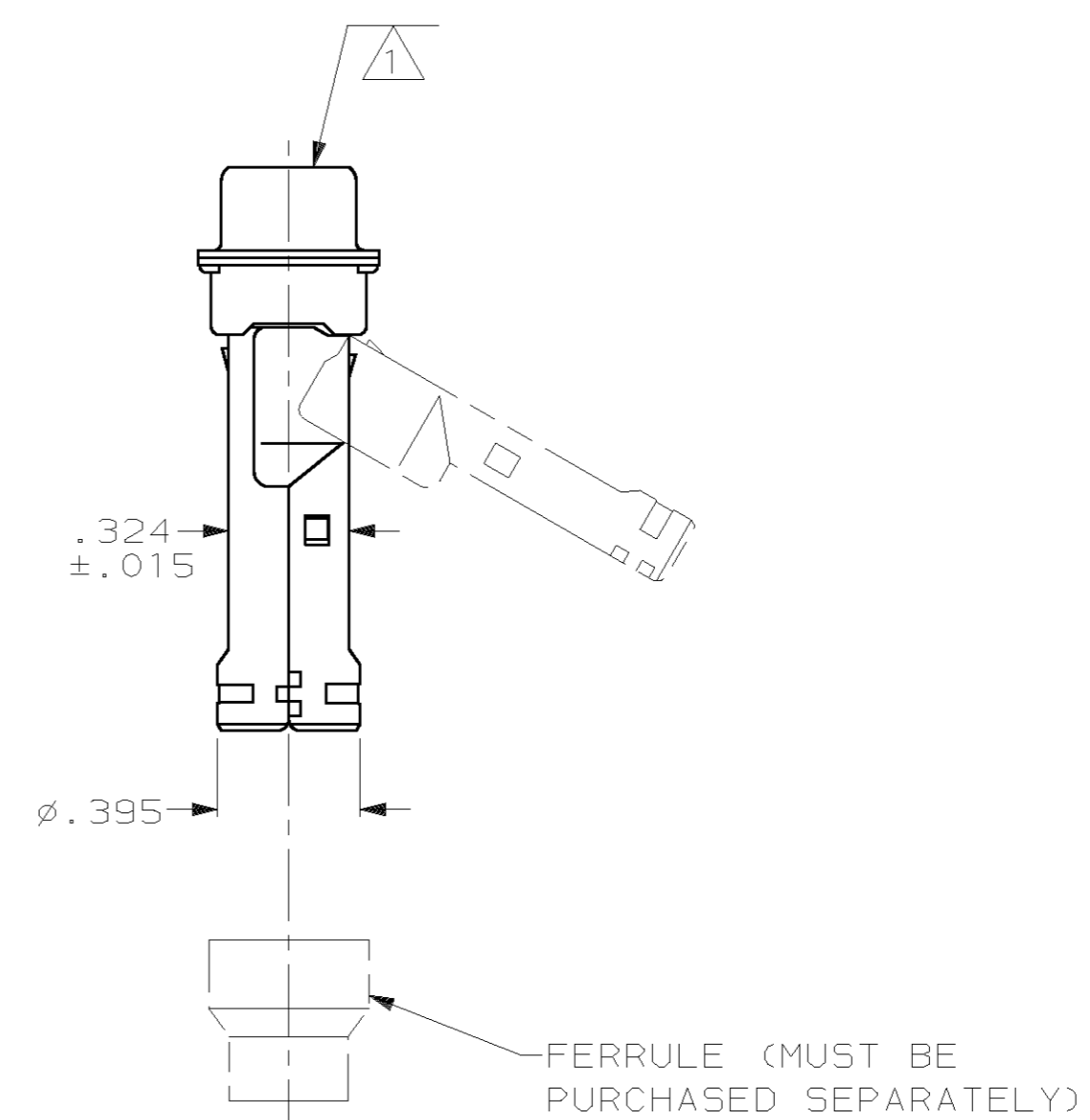
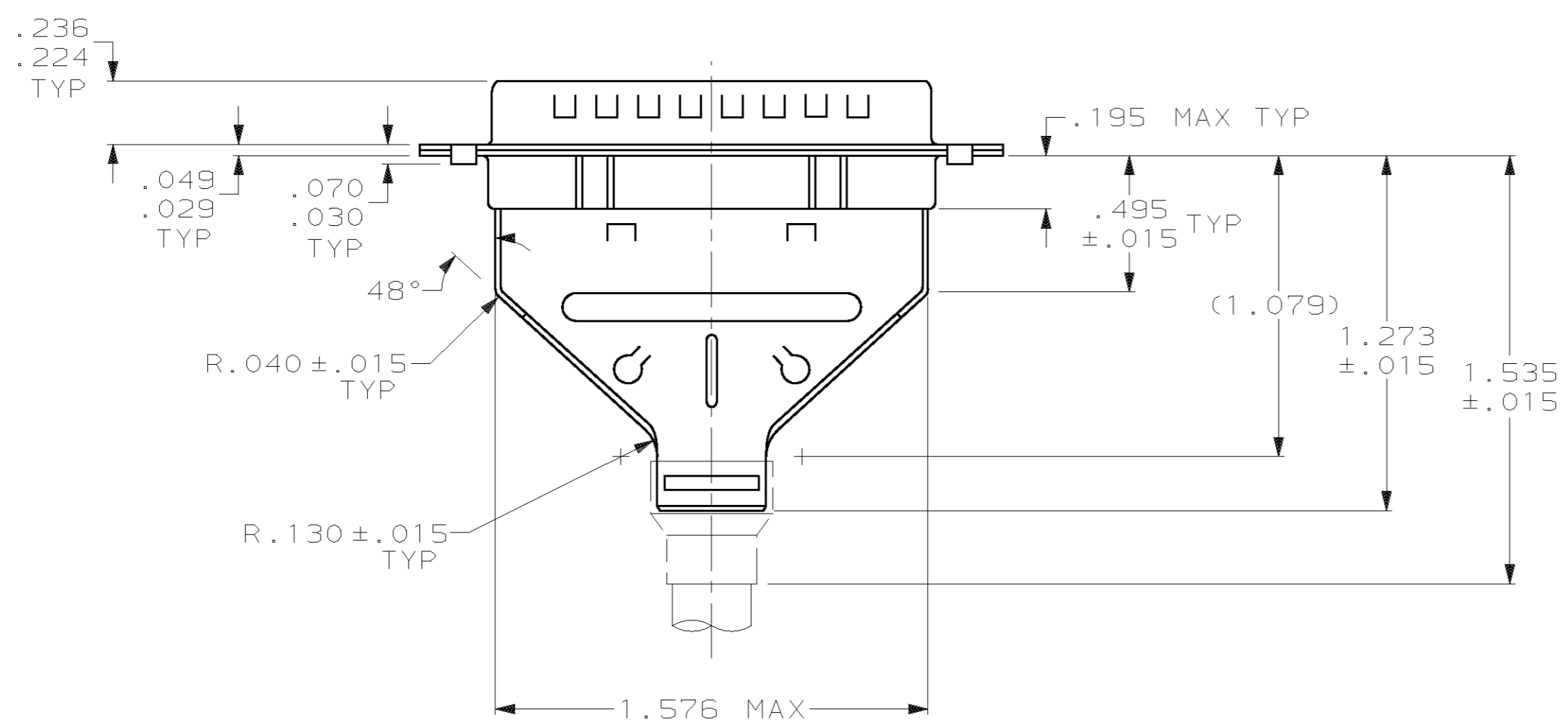
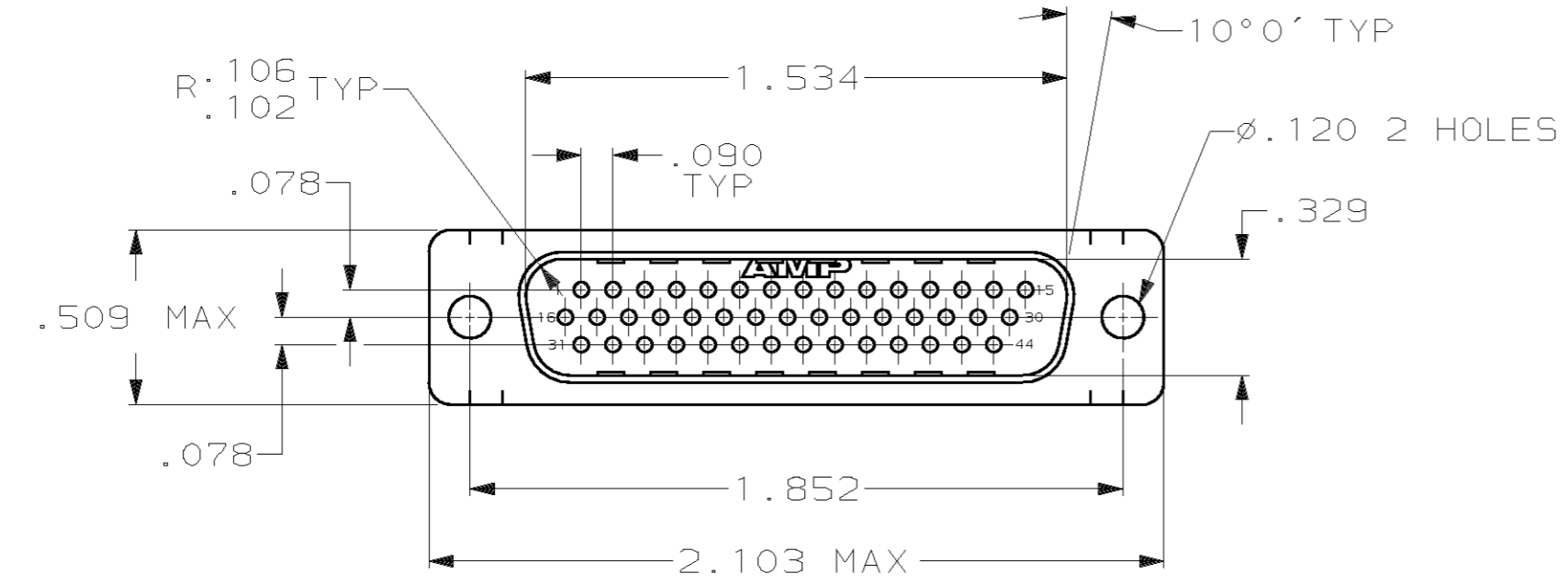


THIS DRAWING IS UNPUBLISHED. RELEASED FOR PUBLICATION  
 BY AMP INCORPORATED, ALL RIGHTS RESERVED.

LOC	DIST	REVISIONS			
P	LTR	DESCRIPTION	DATE	DWN	APVD
GP	00	0	RELEASED PER EC 0513-0209-03	02 JAN 04	LB 5B



- 1 PLUG ACCEPTS 22 PIN CONTACTS (CONTACTS MUST BE ORDERED SEPARATELY).
- 2. ALL PARTS SHIPPED UNASSEMBLED, EACH PART INDIVIDUALLY BULK PACKED.
- 3 FLAME RETARDANT 94V-0 GLASS FILLED NYLON, BLACK.
- 4 .000200 MIN. TIN PLATE OVER .000100 MIN. COPPER UNDERPLATE.

1658677-1  
 PART NUMBER

THIS DRAWING IS A CONTROLLED DOCUMENT.		DWN L. BAUM 02JAN04	AMP Incorporated Harrisburg, PA 17105-3608		
DIMENSIONS: INCH		CHK S. BOLASH 02JAN04			
TOLERANCES UNLESS OTHERWISE SPECIFIED: 0 PLC ± 1 PLC ± 2 PLC ± 3 PLC ±.005 4 PLC ± ANGLES ±2°		APVD M. WALMSLEY 02JAN04	NAME KIT, PLUG, SHIELDING HARDWARE, SIZE 3, 44 POSN, HDP-22, AMPLIMITE™		
MATERIAL HOUSING: △ CARBON STEEL		FINISH △ SHELLS & SHIELDS:	PRODUCT SPEC 108-1268	SIZE A2	CAGE CODE 00779
CUSTOMER DRAWING		SCALE 2:1	DRAWING NO. 114-10001	DRAWING NO. 1658677	RESTRICTED TO
		SHEET 1 OF 1	WEIGHT -	REV 0	